

# PLEASE STOP AND READ THIS DOCUMENT



## SENECA XVAULT UNIFIED STORAGE PLATFORM QUICK START GUIDE

# XV-UM2U35 / XV-UM3U35 / XV-UM4U35

This product contains software that must be registered for continued use and to enjoy the benefits of eligibility for updates. Please take the time to register the operating system and any applications installed on this product.

### CONTENTS OF XVAULT PACKAGE

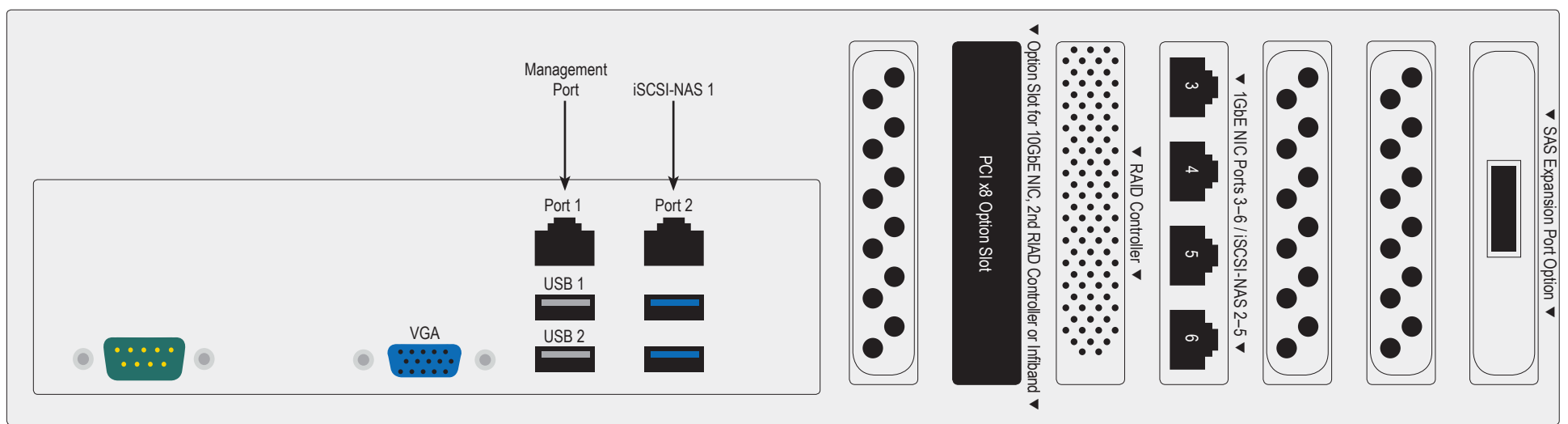
Quantity	Item
1	xVault Unified Storage Platform Appliance
2	Power Cords
1	Bezel with Keys
1	Rackmount Kit with Hardware
1	16GB USB Flash thumb drive for emergency restore
1	32GB USB Flash thumb drive for customer specific configuration backup & restore

### DEFAULT LOG IN INFORMATION

**Username: Administrator**

**Password: P@ssw0rd**

Note: This user has administrative privileges.



### MAIN BACK PANEL CONNECTIONS

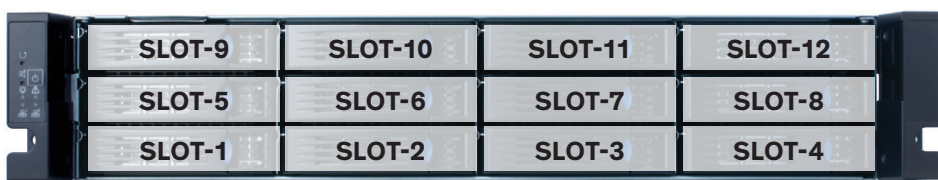
I/O Port Connection	Port Usage
NIC Port 1	Management Port and Optional IPMI
NIC Port 2-6	iSCSI / NAS 1-5
NIC Port 7-8	Optional 10GbE Ports
VGA	Console
USB Port 1	Keyboard
USB Port 2	Mouse
USB Port 3	
USB Port 4	
SAS Expansion Port	

### DEFAULT 1GBE FIXED IP ADDRESSES

Port	IP Address	Mask
Management Port	172.16.6.9	255.255.255.0
1GbE Port 1	10.0.10.8	255.255.255.0
1GbE Port 2	10.0.10.9	255.255.255.0
1GbE Port 3	10.0.10.10	255.255.255.0
1GbE Port 4	10.0.10.11	255.255.255.0
1GbE Port 5	10.0.10.12	255.255.255.0
10GbE Port 1	10.10.10.3	255.255.255.0
10GbE Port 2	10.10.10.4	255.255.255.0

### DRIVE SLOT LOCATIONS BY CHASSIS MODEL

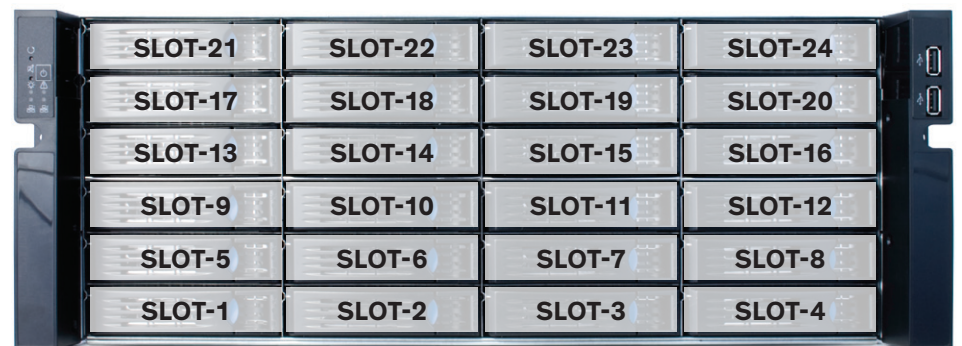
#### 2U 12 BAY



#### 3U 16 BAY

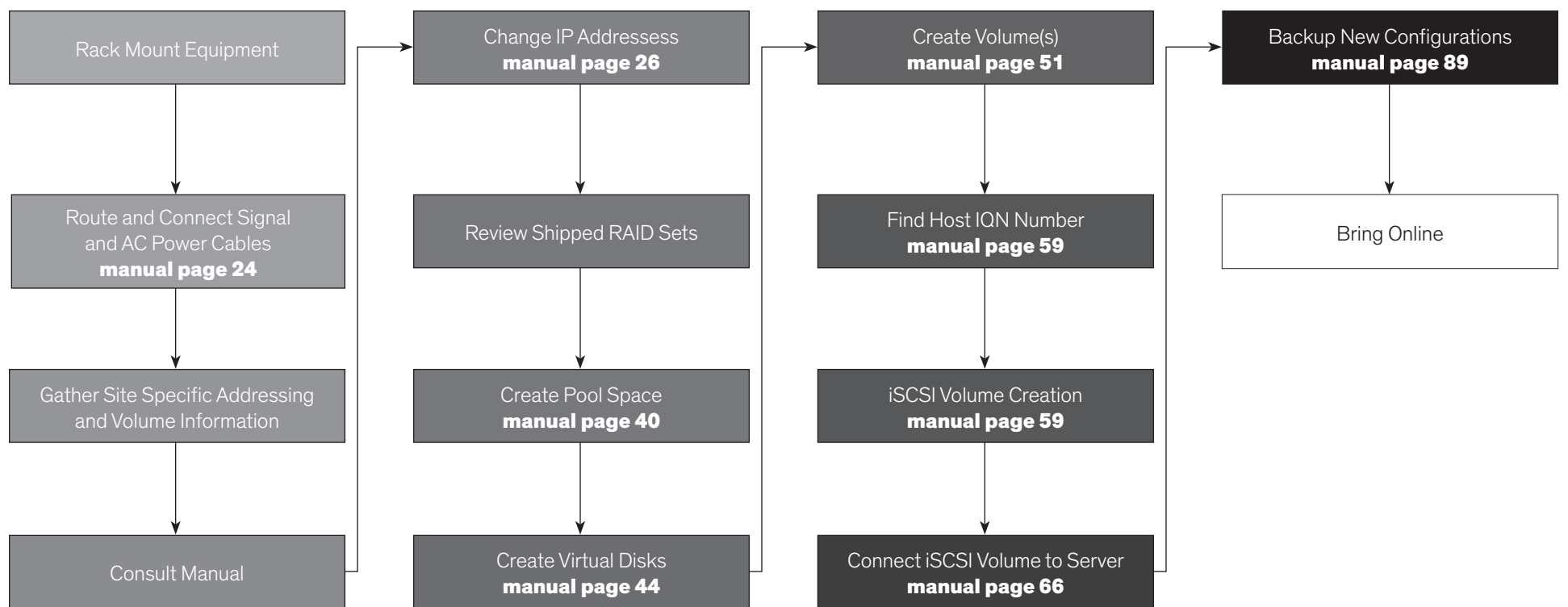


#### 4U 24 BAY



**WARNING: Power on self test takes several minutes until boots process.**

## INITIAL SETUP OUTLINES:



## Manual Location:

The manual is in electronic format, the link to open is on the “Startup” screen which can be opened by hitting the “Start” key. The manual is downloadable from the Seneca web site at [http://www.xvaultstorage.com/change/USP\\_manual/manual.pdf](http://www.xvaultstorage.com/change/USP_manual/manual.pdf).

## XVAULT SUPPORT

Seneca customer care group stand ready to assist with any hardware and operating system assistance.

### Contact Seneca Digital Security and Surveillance Support:

Normal Business Hours

Outside Business Hours

**800.227.3432 option 5**

**888.227.9994**

Available Monday–Friday 8am–6pm EST

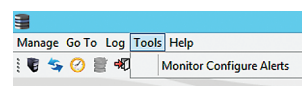
Download the complete user manual at [http://www.xvaultstorage.com/change/USP\\_manual/manual.pdf](http://www.xvaultstorage.com/change/USP_manual/manual.pdf).

First level of data protection and integrity begins with AC power protection.

Please consult your Seneca Account Manager for properly sized, uninterruptable power supply (UPS).

## HOW TO CONFIGURE ALERTS

1. Select and login to MegaRAID Storage Manager from the desktop.
2. Select **Tools** → **Monitor Configure Alerts**



3. Select the **Mail Server** tab and enter the proper information.

Configure Alerts window showing Mail Server configuration fields:

- Sender email address:
- SMTP Server:
- Port:   Use Default
- This server requires authentication
- User name:
- Password:

- **Use to Identify Sender**  
Preceding “@”:  
Alpha numeric with “\_” only @  
After “@”:  
Alpha numeric only
- **Name or IP Address**  
“25” is standard SMTP port. Can be changed by unchecking “Use Default”.
- **Only If Required**

“Save Backup” if configuration retention is desired.

“Load Backup” if configuration saved earlier.

4. Select **Email** tab and enter recipient information

Configure Alerts window showing Email configuration fields:

- New recipient email address:
- Recipient email addresses:
- 

• **New recipient email address:**  
Enter all new email recipients and press “Add”

• **“Test”** will send a brief message to all recipients.

Clicking “OK” will only hold recipients for this MSM session only.

**NOTE: Please reference manual for more detailed configuration information.**