

STORAGE QUICK START GUIDE

SENECA ST4000 SINGLE CONTROLLER

CONTENTS OF PACKAGE

Quantity	Item
1	ST4000 Storage Appliance - Rackmount Enclosure
1	Set of Slide Rails Including Mounting Hardware ¹
2	AC Power Cords
1	USB "A" to "Micro" Cable

CRITICAL INFORMATION:

DEFAULT LOG IN INFORMATION

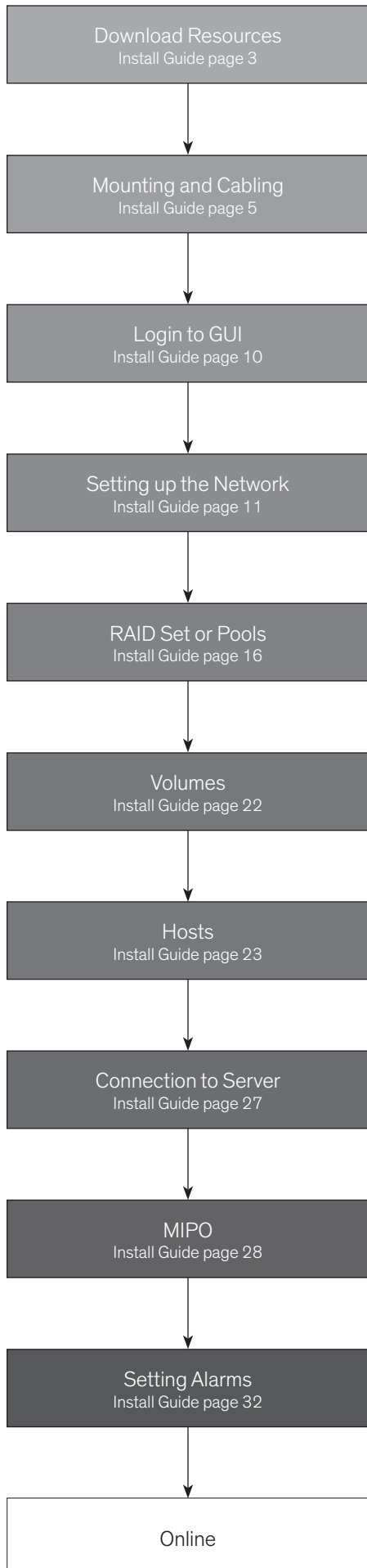
Username: administrator

Password: P@ssw0rd

Note: This user has administrative privileges.

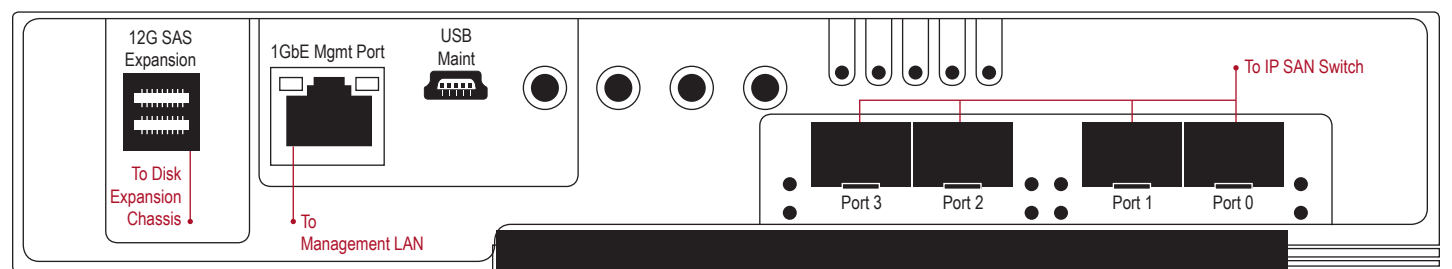


INSTALLATION STEPS



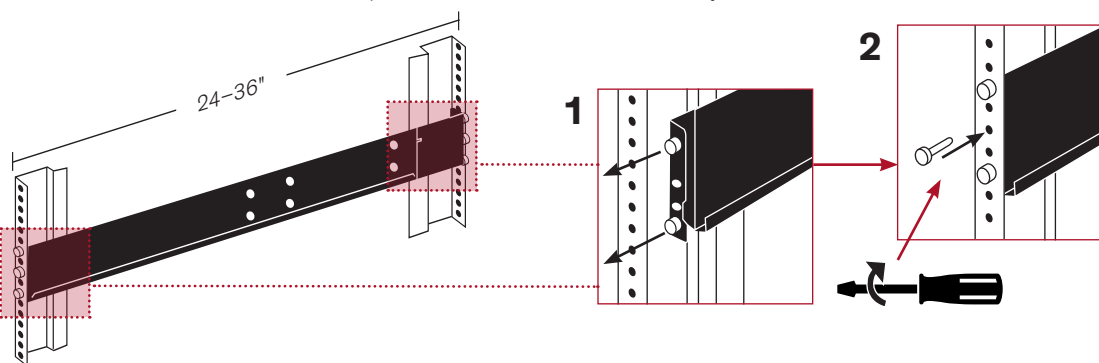
Download the Installation Guide: <http://products.senecadata.com/PDF/support/storage/ST4000IG.PDF>

REAR CONTROLLER "A" PANEL VIEW



MOUNTING SLIDER RAIL SET¹

RAIL INSTALLATION - Rail suits square hole and round hole racks only



Repeat steps 1 and 2 for the front and back then tighten the screw. Repeat all the steps for the second rail.

DRIVE SLOT LOCATIONS



MAIN BACK PANEL CONNECTIONS

I/O Port Connection	Port Usage
1GbE Mgmt Port	Appliance Management Port
Port 0	SFP+ Host Port 0
Port 1	SFP+ Host Port 1
Port 2	SFP+ Host Port 2
Port 3	SFP+ Host Port 3
12G SAS Expansion	Disk chassis expansion port

HOST PORT TRANSCEIVERS AVAILABLE⁴

Form	Speed	Cable & Connector	Protocol
SFP+	10GbE	DA Copper, SFP+	iSCSI
SFP+	10GbE	Multi Mode, LC-LC	iSCSI
SFP+	1GbE	CAT6, RJ45	iSCSI
SFP+	16GbE	Multi Mode, LC-LC	Fibre Channel

NOTE: No transceiver required when using SFP+ Copper Cable

SMB/CIFS & NFS protocols are NOT supported

DEFAULT 1GBE FIXED IP ADDRESSES²

Port	IP Address	Mask	Gateway
Management LAN	172.16.6.14	255.255.255.0	172.16.6.1
0	10.0.10.30	255.255.255.0	
1	10.0.10.31	255.255.255.0	
2	10.0.10.32	255.255.255.0	
3	10.0.10.33	255.255.255.0	

DEFAULT 10GBE FIXED IP ADDRESSES³

Port	IP Address	Mask	Gateway
Management LAN	172.16.6.14	255.255.255.0	172.16.6.1
0	10.10.10.3	255.255.255.0	
1	10.10.10.4	255.255.255.0	
2	10.10.10.5	255.255.255.0	
3	10.10.10.6	255.255.255.0	

CUSTOMER SUPPORT

Arrow customer care group stands ready to assist with any hardware and operating system assistance.

Contact Seneca Digital Security and Surveillance Support:

Normal Business Hours

800.227.3432 option 5

Available Monday–Friday 8am–6pm EST

Outside Business Hours

888.227.9994

First level of data protection and integrity begins with AC power protection.

Please consult your Seneca Account Manager for properly sized, uninterruptible power supply (UPS).

¹ Slide kit does not work with pre-threaded holes

² Assumes SFP RJ45 transceivers installed

³ Assumes SFP+ slot empty for 10GbE DA Copper Cable or 10GbE SR transceiver installed

⁴ Transceivers available in four packs only

