

STORAGE QUICK START GUIDE

SENECA ST4000EX DISK EXPANSION CHASSIS

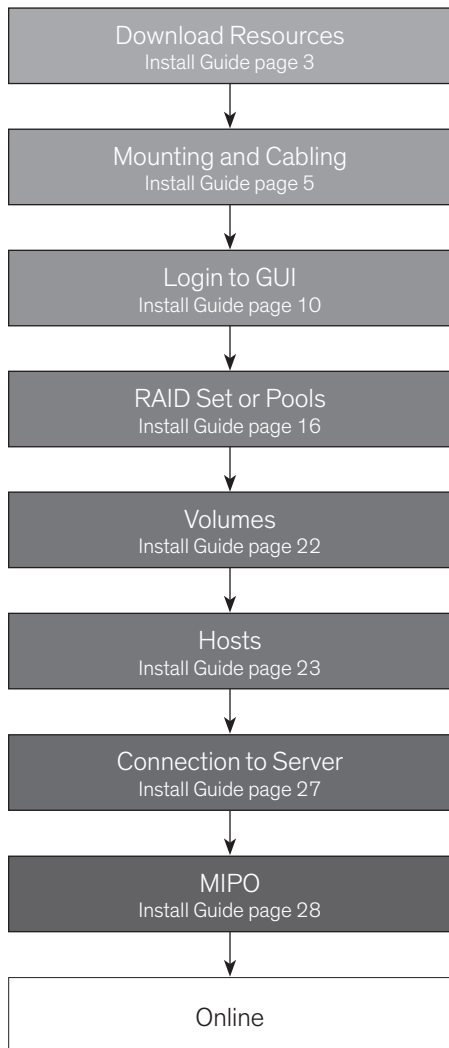
CONTENTS OF PACKAGE

Quantity	Item
1	ST4000EX Rackmount Disk Expansion Chassis
1	Set of Slide Rails Including Mounting Hardware ¹
2	AC Power Cords
1	External 1 Meter 12G Daisy Chain Cable (ST4000S) Additional cable is included when connecting to the ST4000D

NOTE:

The ST4000EX is a disk expansion chassis. It must be connected to a ST4000S or ST4000D in order for the disks to be accessed and used.

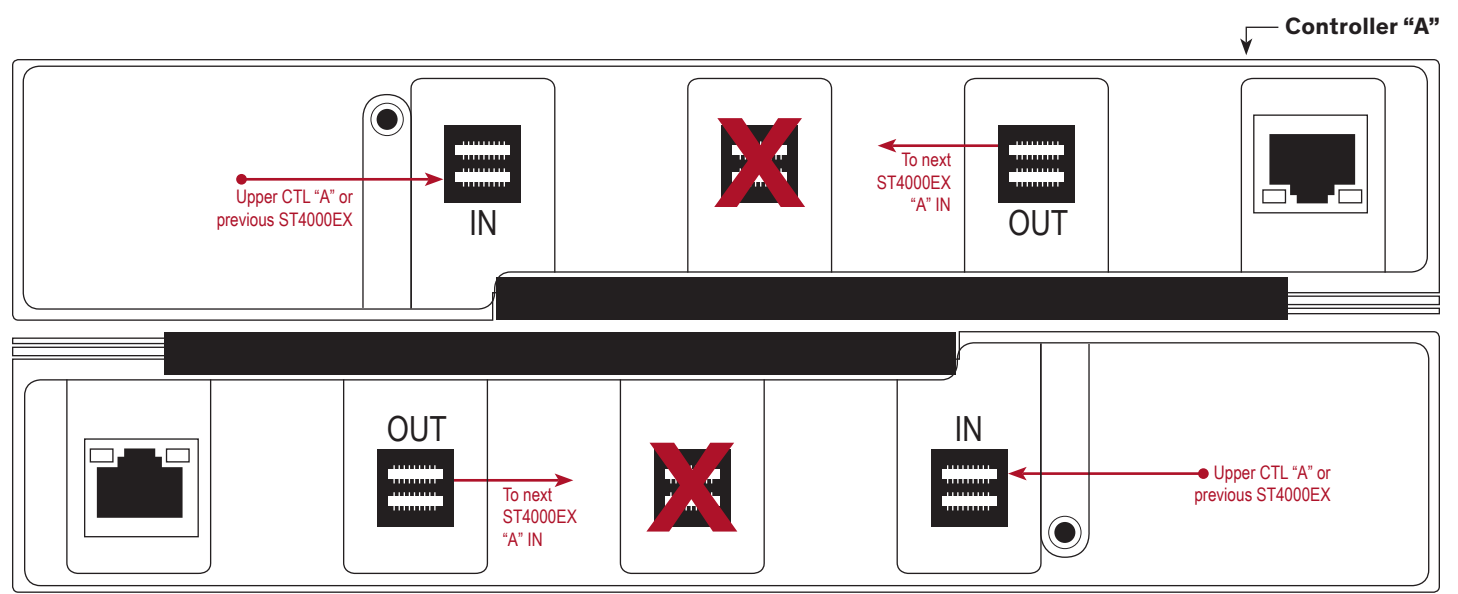
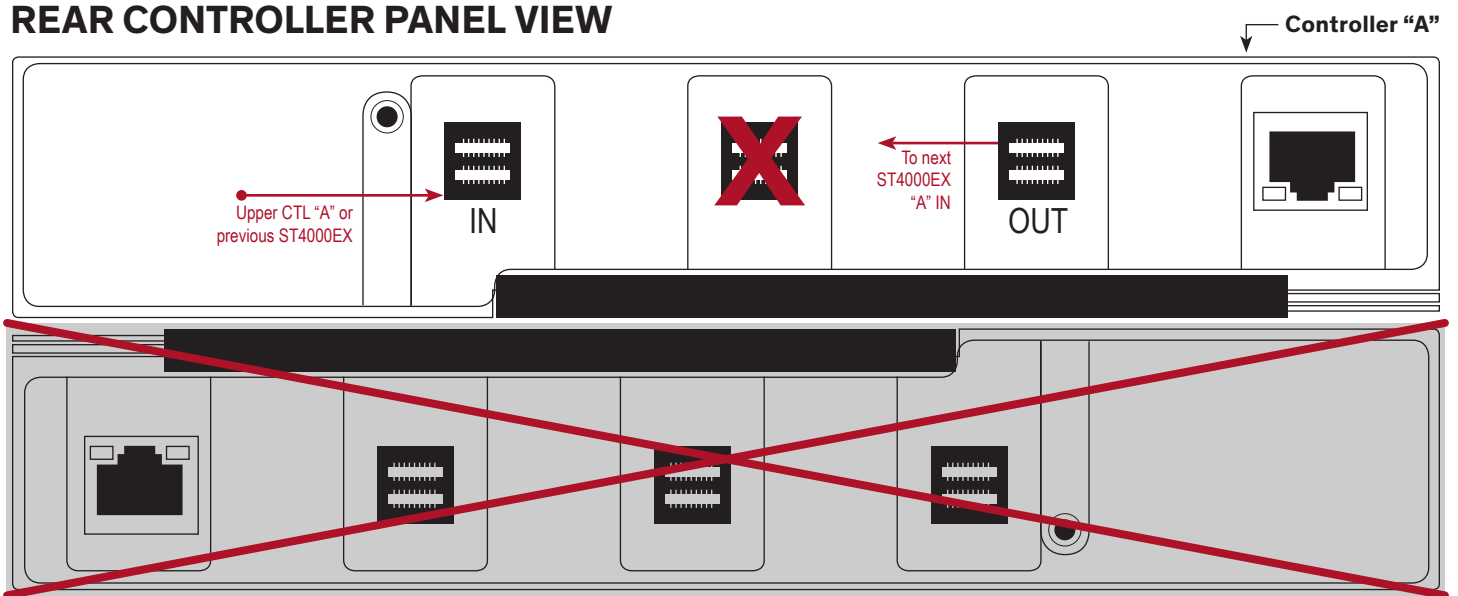
INSTALLATION STEPS



Download the Installation Guide:

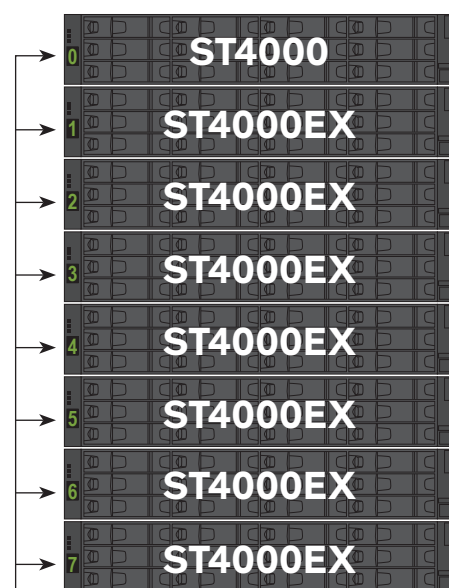
<http://products.senecadata.com/PDF/support/storage/ST4000IG.PDF>

REAR CONTROLLER PANEL VIEW



RACK MOUNT ORDER AND CHASSIS ID

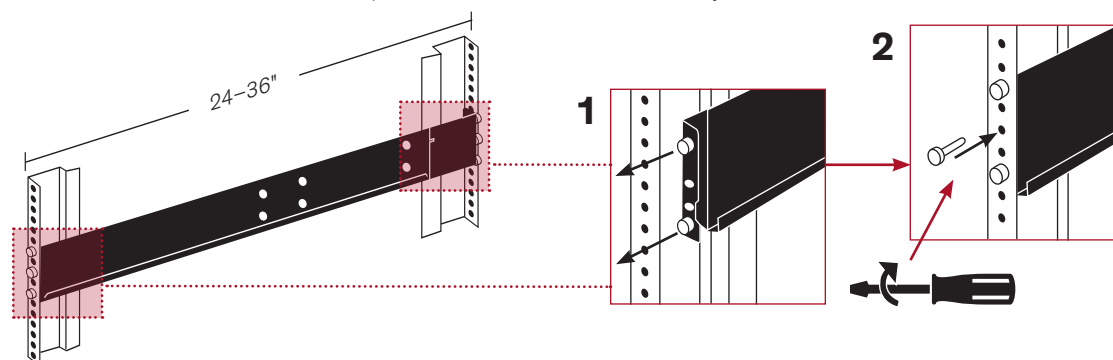
ST4000 must be on top with the ST4000EX placed immediately below.



Set unique chassis number via green button on the front left panel.

MOUNTING SLIDER RAIL SET¹

RAIL INSTALLATION - Rail suits square hole and round hole racks only



Repeat steps 1 and 2 for the front and back then tighten the screw. Repeat all the steps for the second rail.

CUSTOMER SUPPORT

Arrow customer care group stands ready to assist with any hardware and operating system assistance.

Contact Seneca Digital Security and Surveillance Support:

Normal Business Hours
800.227.3432 option 5
Available Monday–Friday 8am–6pm EST

Outside Business Hours
888.227.9994

¹ Slide kit does not work with pre-threaded holes

First level of data protection and integrity begins with AC power protection.

Please consult your Seneca Account Manager for properly sized, uninterruptable power supply (UPS).

ST4000EXQS.0417



ST4000EXQS